

Novatex Architectural Mouldings



VAPOUR-PERMEABLE,
REINFORCED
COATING WITH HIGH
PERFORMANCE
MINERAL PARTICLES.

USES:

- Exterior or interior
- Residential and commercial projects
- Protection for expanded polystyrene
- Enhanced aesthetic appeal
- Wall features/columns
- Gables/façades and many more

FEATURES AND BENEFITS

- Painted or rendered without any priming necessary
- Traditional plaster look-a-like
- Protection against chemical attack
- Durability extends substrate life
- Resistant to freeze/thaw expansion contractions and thermal shock cycles

This fine-sand finish system provides a traditional plaster look-a-like architectural detail, trim or shape. Novatex Architectural Mouldings add a style and a distinctive look of its own especially for you, as a truly cost effective solution.

Novatex Architectural coating is tough and durable for exterior or interior uses.

Detail

Novatex mouldings are manufactured from structural grade polystyrene with a specially designed vapour-permeable coating, which is water resistant, but allows the release of moisture through the polystyrene substrate, unlike many other products.

Installation

Polystyrene can be fabricated in many shapes and sizes. Once detailed and coated the lightweight pieces are easily transported and fixed with ease.

No requirements or extra expenses for large lifting equipment.

Durability

Novatex high-grade polystyrene coating provides a strong protection against damage from impact compression, abrasion, chemicals and moisture.

Lightweight

The lightest and simplest decorative material in the building industry.

Ease in mobility-sites and transport.

Versatility

Novatex Architectural Coating can also be applied to various polystyrenes, wood and other substrates. This system can also be used in landscaping details, stage drops, film sets and many other applications.

Product Description

Novatex Architectural Coating is a vapour-permeable, reinforced with high performance mineral particles. It is designed to provide high impact resistance to Expanded Polystyrene. Its zero volatile content (V.O.C.) meets all emission level requirements.

Recommended Uses

- Exterior or interior
- Residential and commercial projects
- Protection for expanded polystyrene
- Enhanced aesthetic appeal
- Wall features/columns
- Gables/façades and many more

PLEASE NOTE IMPORTANT

Parapets/handrills require slope and metal capping.

Features & Benefits

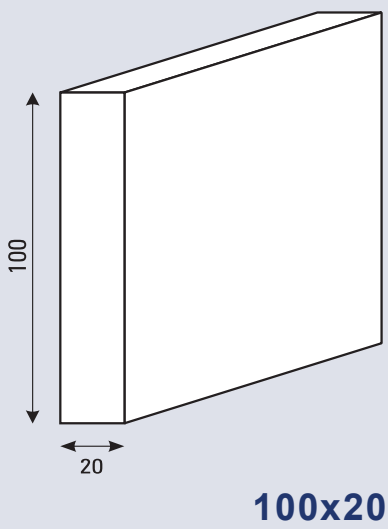
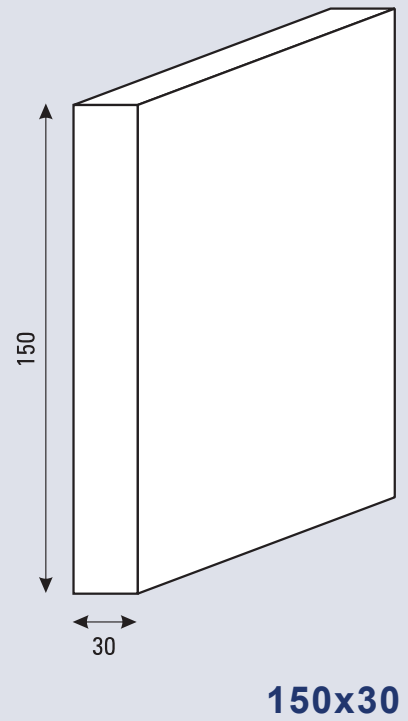
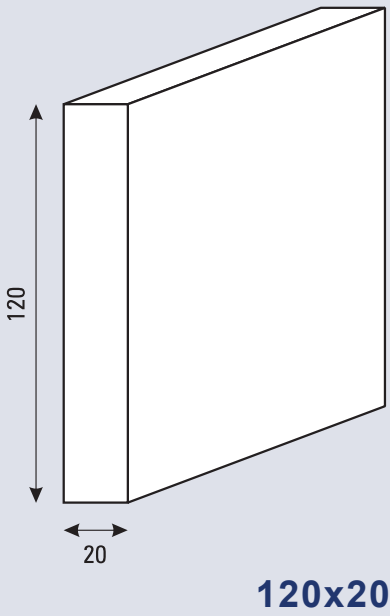
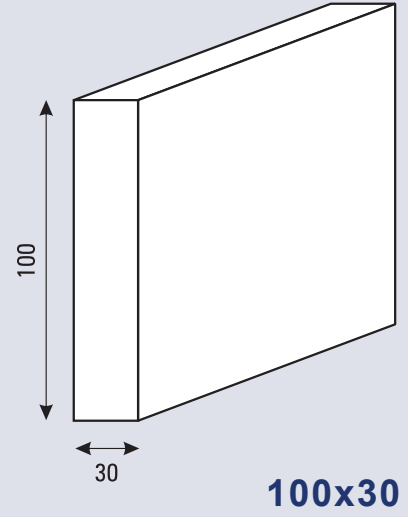
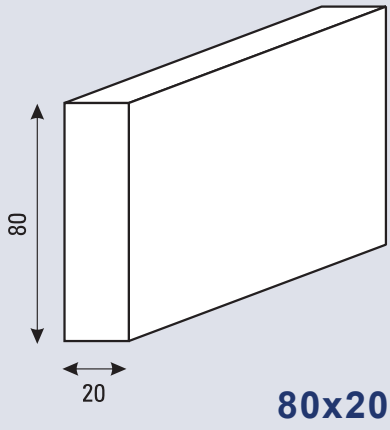
- Painted or rendered without any priming necessary
- Traditional plaster look-a-like
- Protection against chemical attack (petrol, oil and some solvents)
- Durability extends substrate life
- Resistant to freeze/thaw expansion contractions and thermal shock cycles

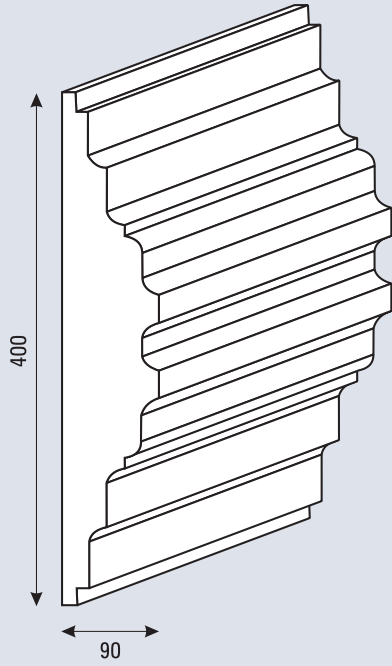
Guarantee

Novatex Architectural Mouldings are covered by a ten-year guarantee, to replace products purchased which are found to be faulty due to manufacturing.

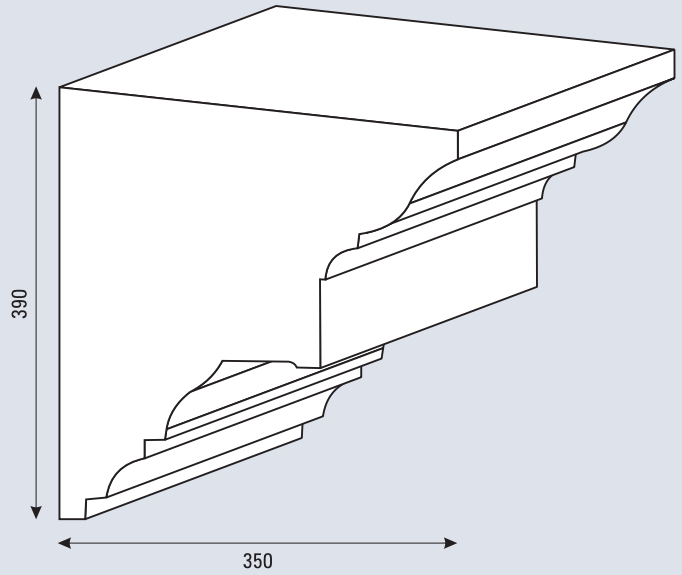
The guarantee is limited to replacement only and does not cover any installation costs. Any goods that have been damaged, incorrectly installed or for any other cause that is beyond our control such as background shrinkage and movement will not apply to this guarantee.

Flat Bands	4
Profiles	5-13
Complete Columns	14
Column Types	15
Column Tops and Bases	16
Column Pictures	17
Keystones	18
Moulded Arches	19
Made to Order	20
Gable Decorations	21
General Information	22
Installation Guidelines	23





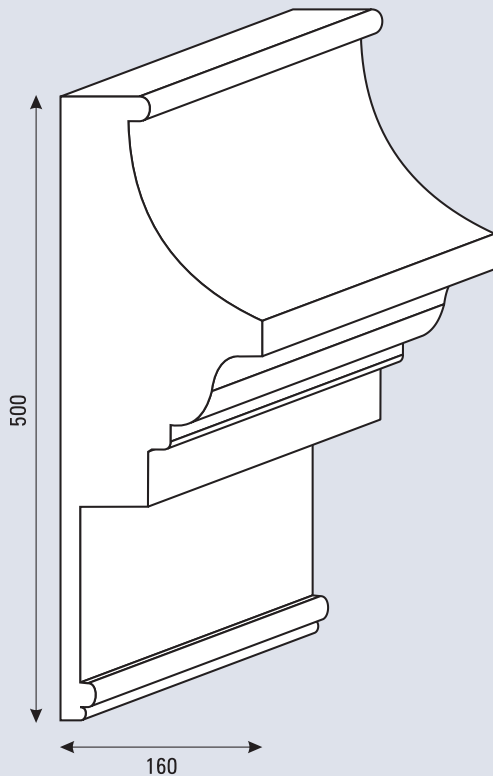
F1605



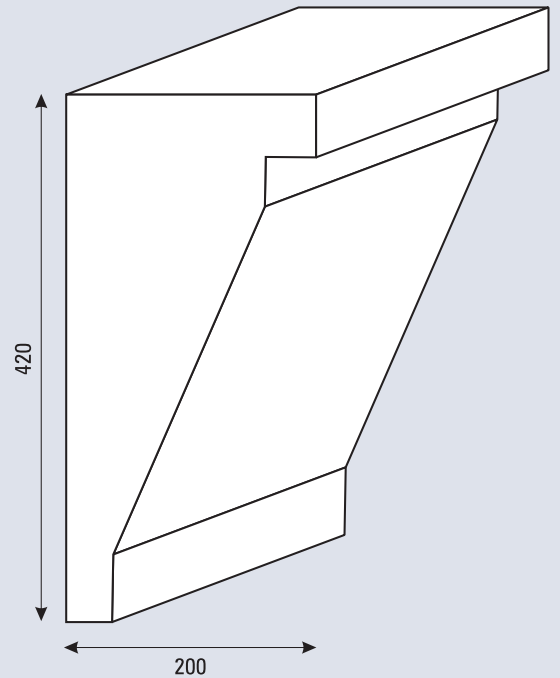
F1600

PLEASE NOTE IMPORTANT

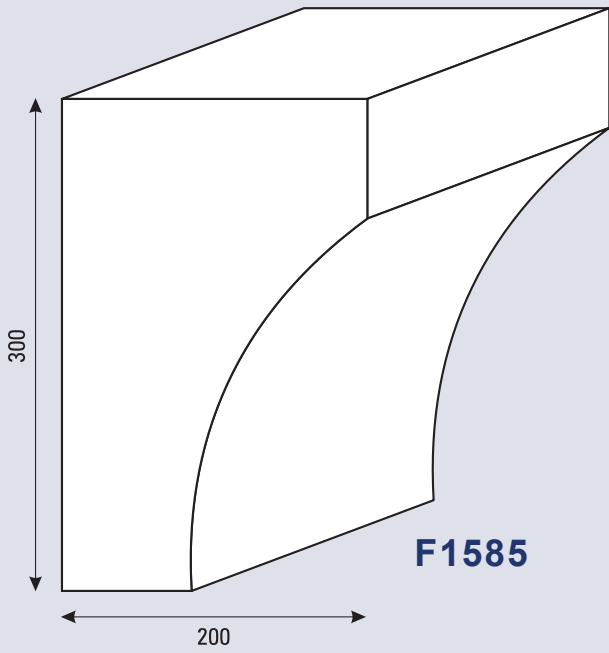
Parapets/handrails require slope and metal capping.



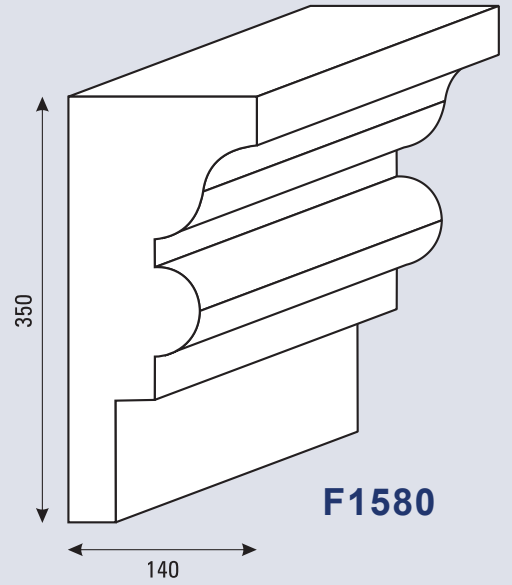
F1595



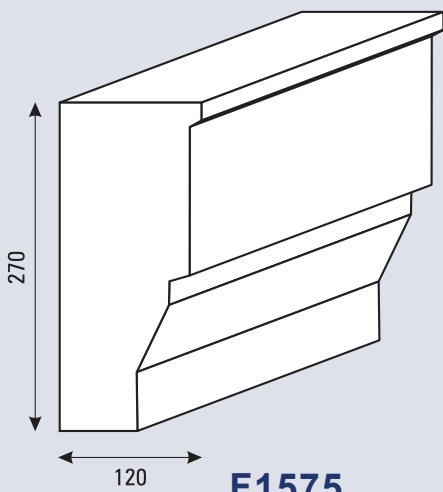
F1590



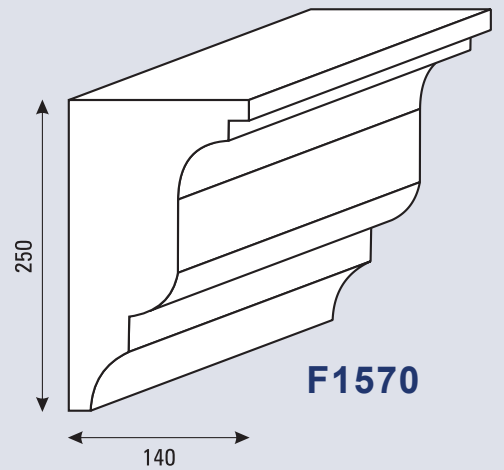
F1585



F1580



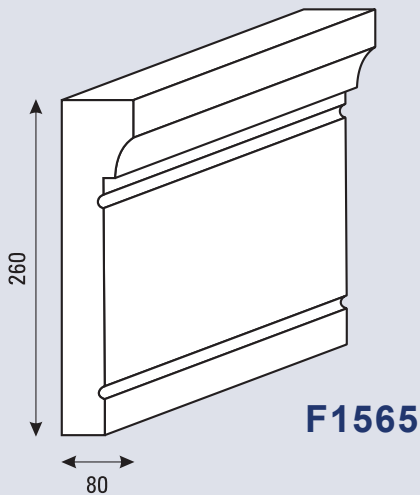
F1575



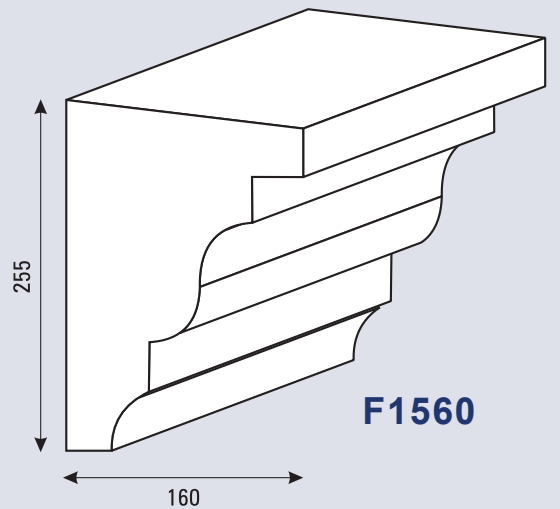
F1570

PLEASE NOTE IMPORTANT

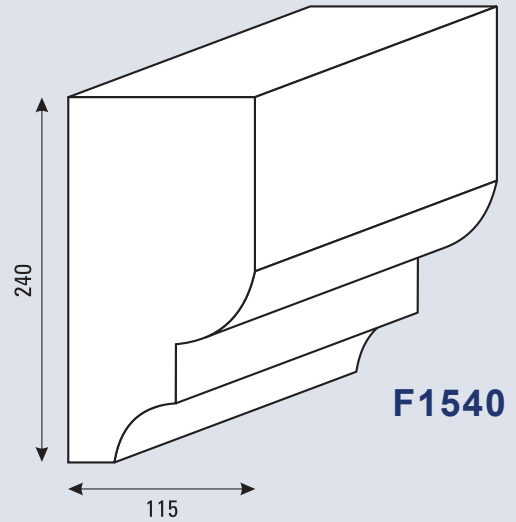
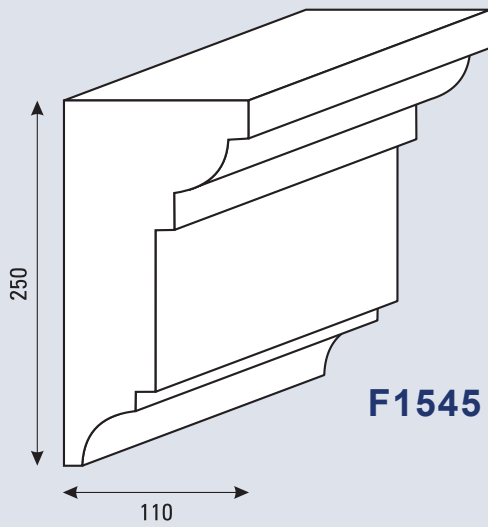
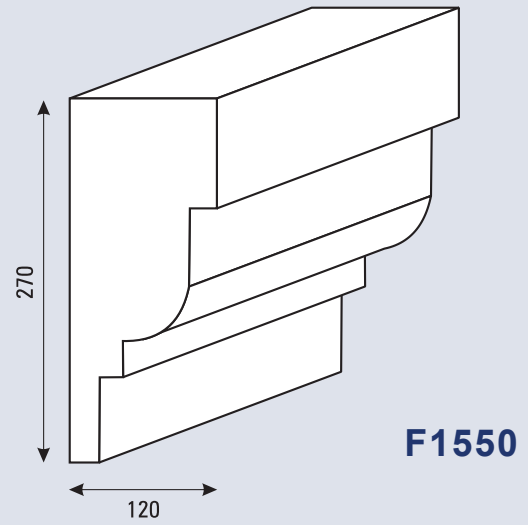
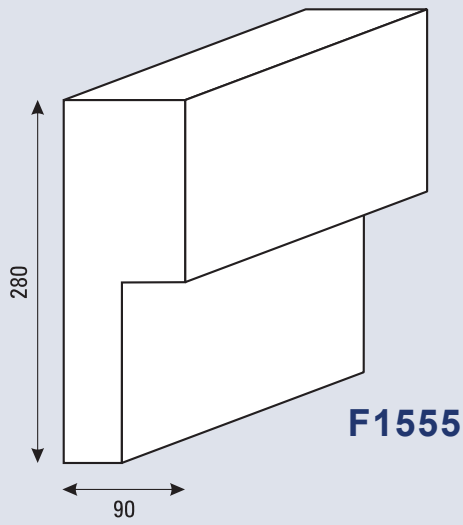
Parapets/handrails require slope and metal capping.



F1565

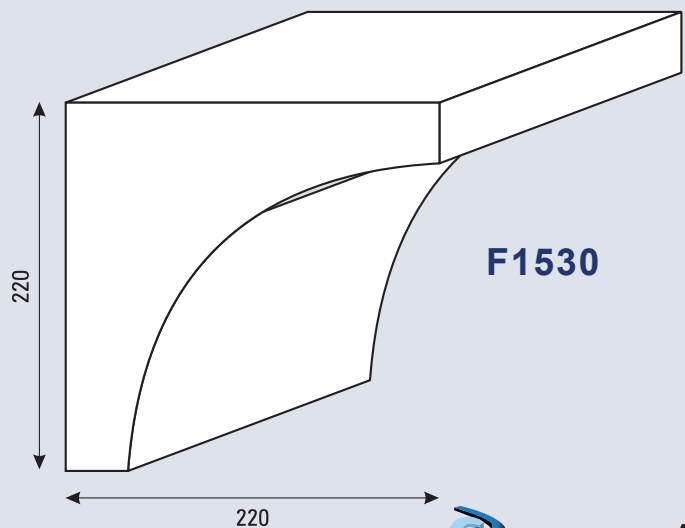
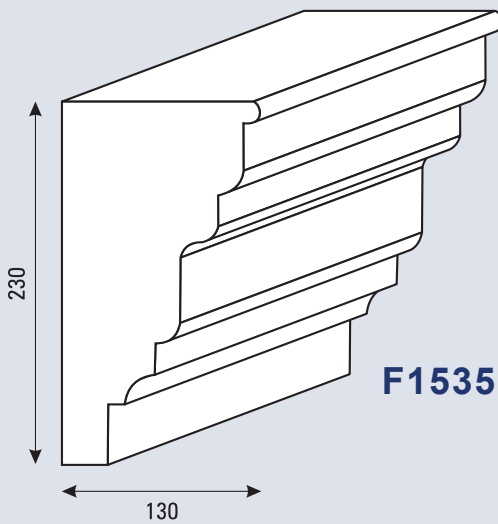


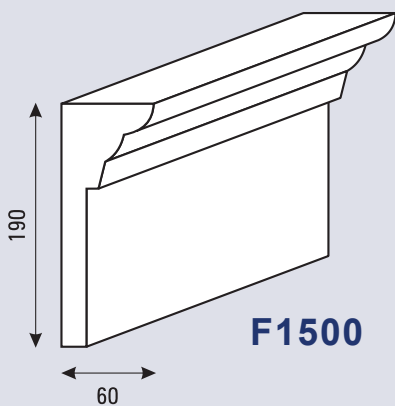
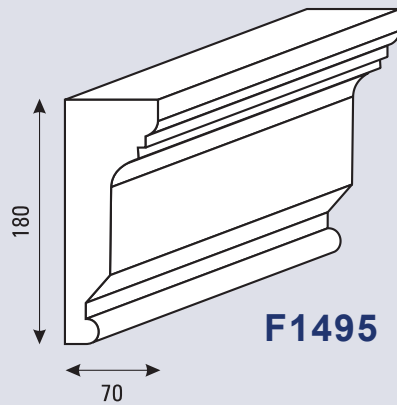
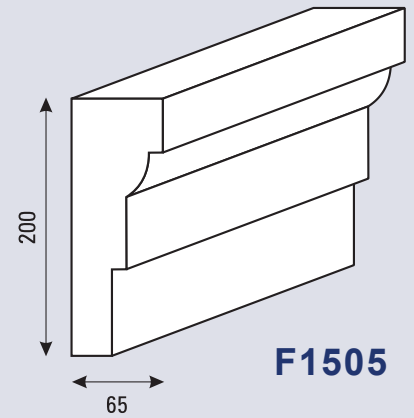
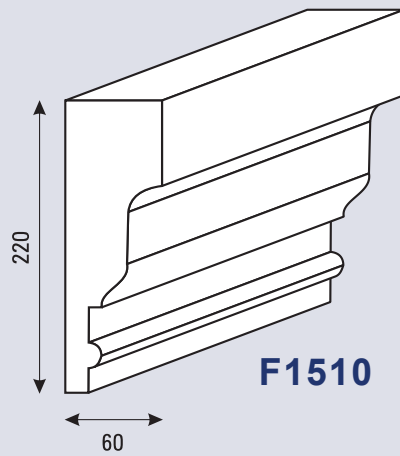
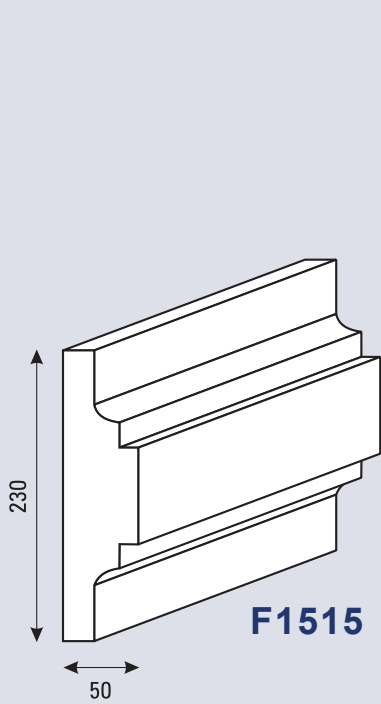
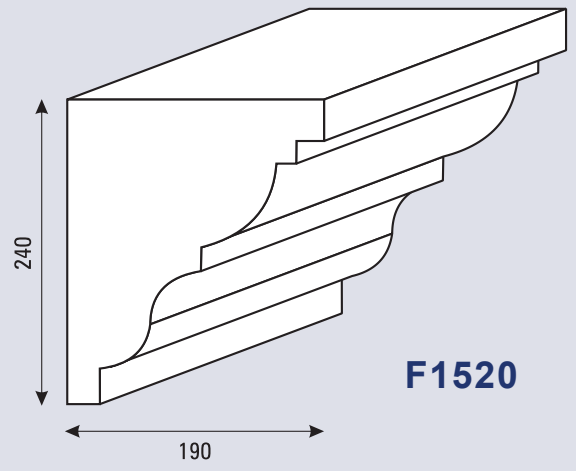
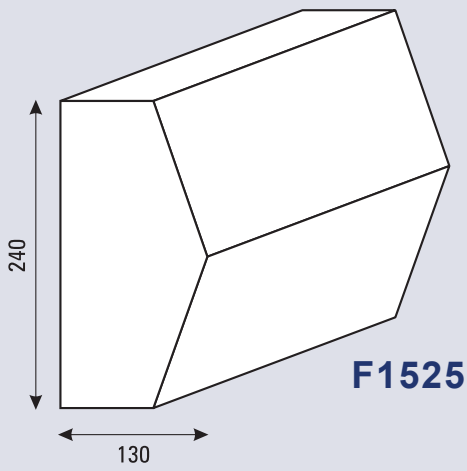
F1560



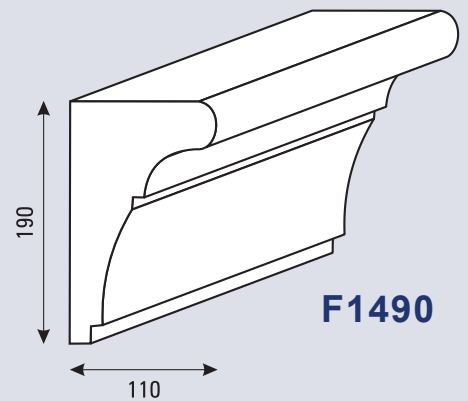
PLEASE NOTE IMPORTANT

Parapets/handrails require slope and metal capping.



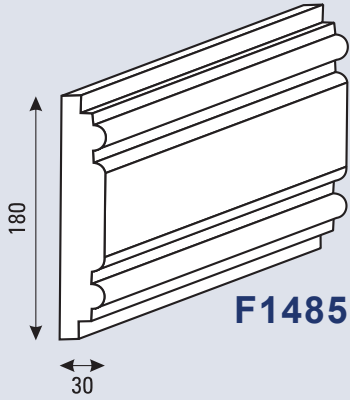


PLEASE NOTE IMPORTANT
Parapets/handrails require slope and metal capping.

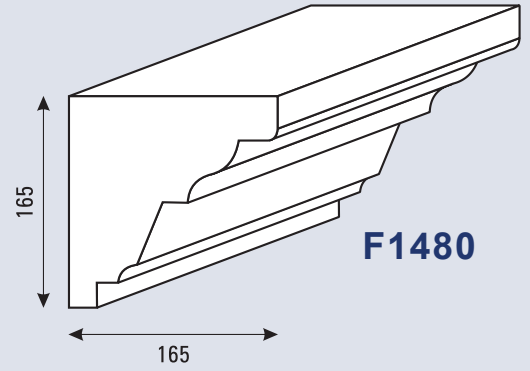


PLEASE NOTE IMPORTANT

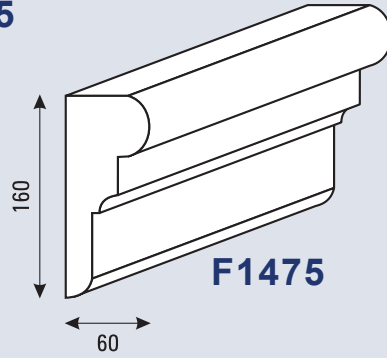
Parapets/handrails require slope and metal capping.



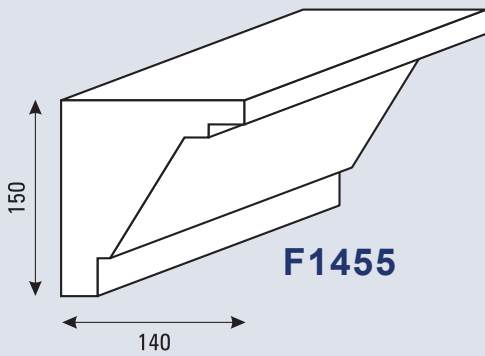
F1485



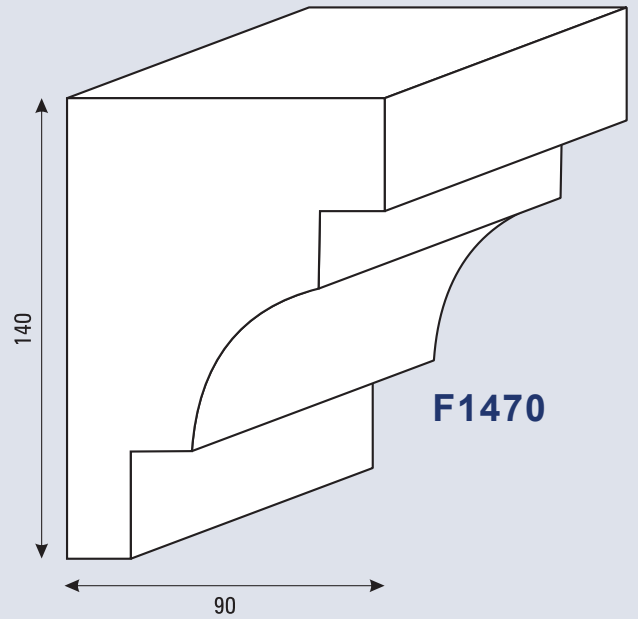
F1480



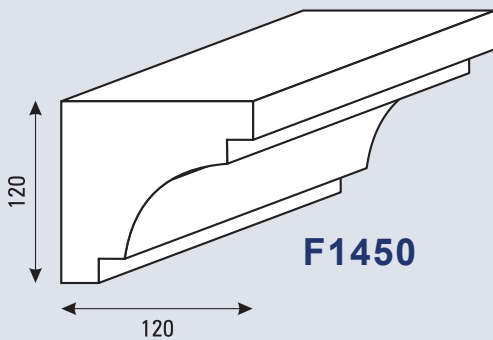
F1475



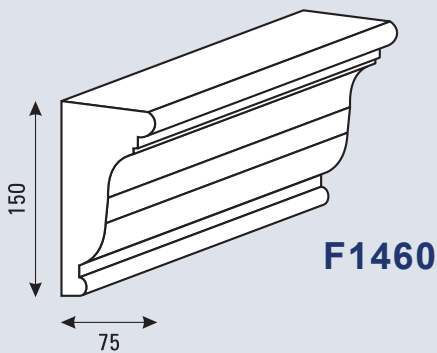
F1455



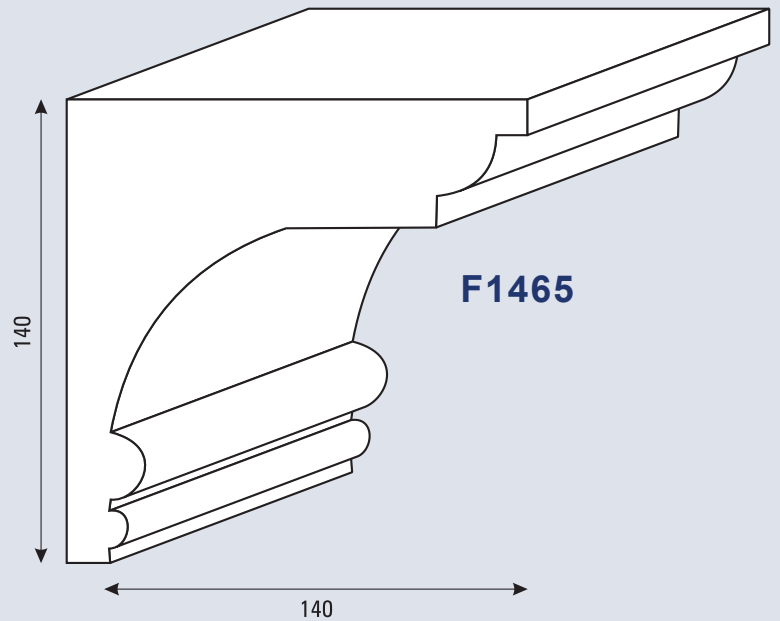
F1470



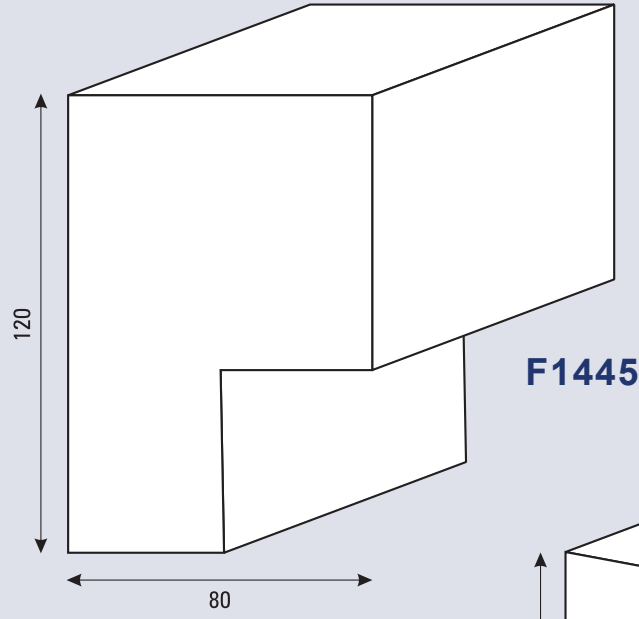
F1450



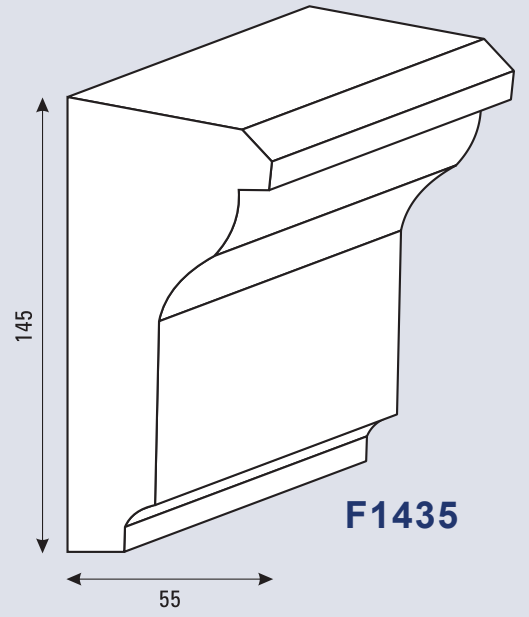
F1460



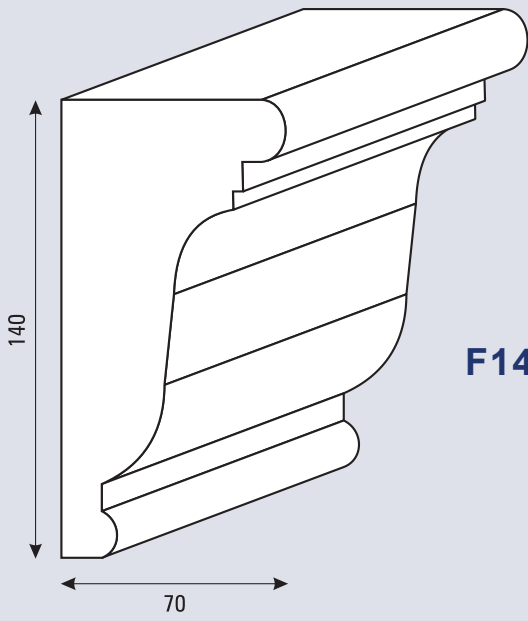
F1465



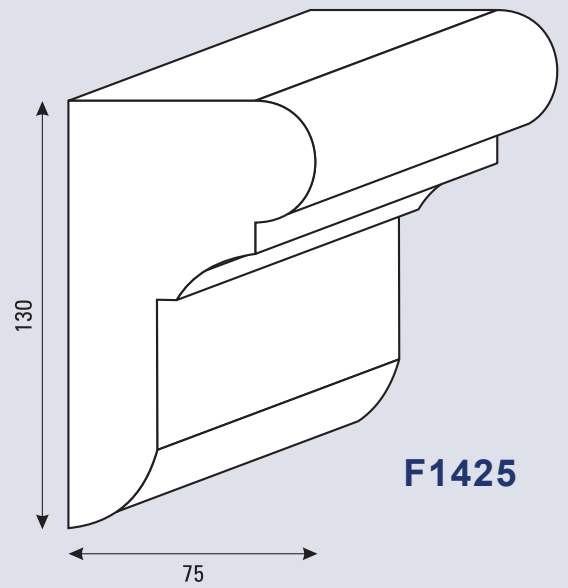
F1445



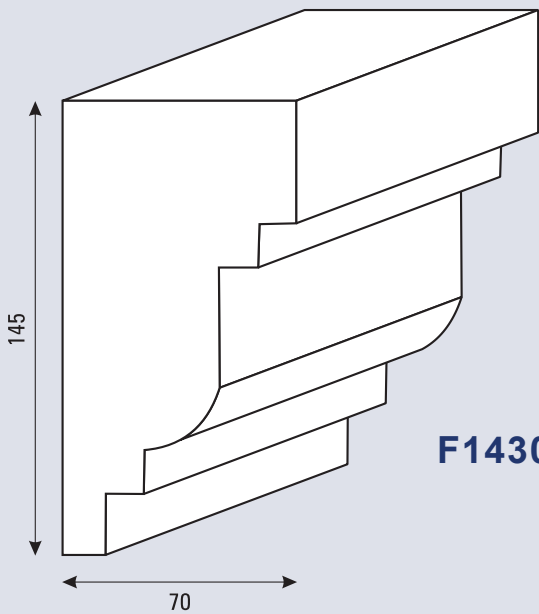
F1435



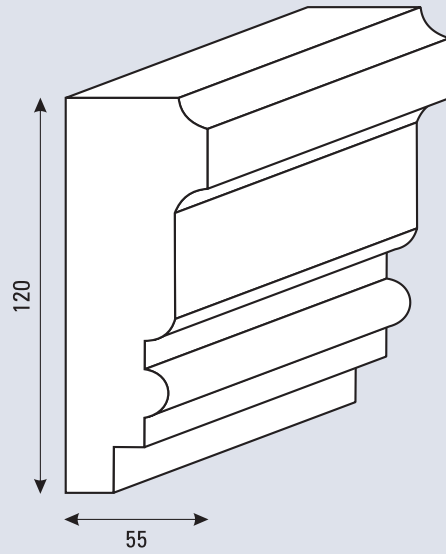
F1440



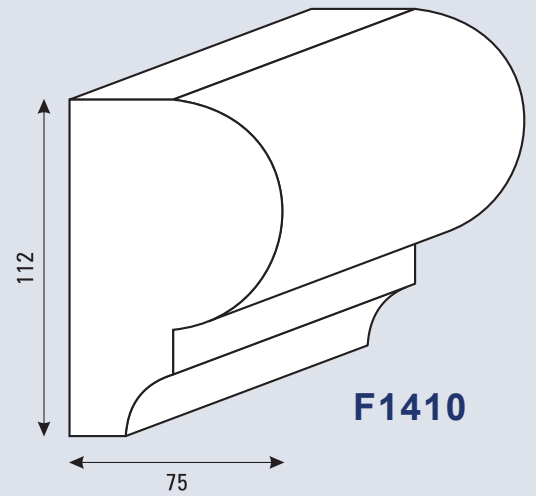
F1425



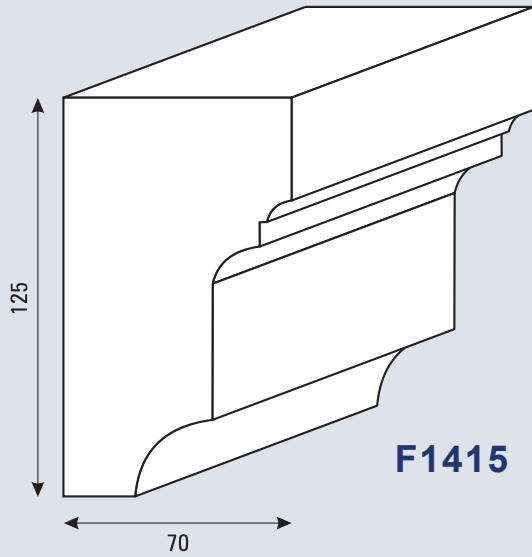
F1430



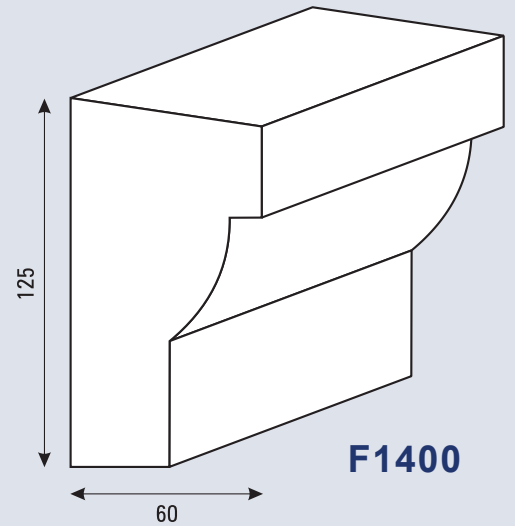
F1420



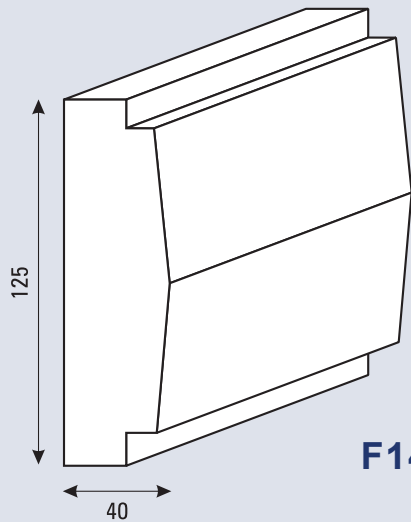
F1410



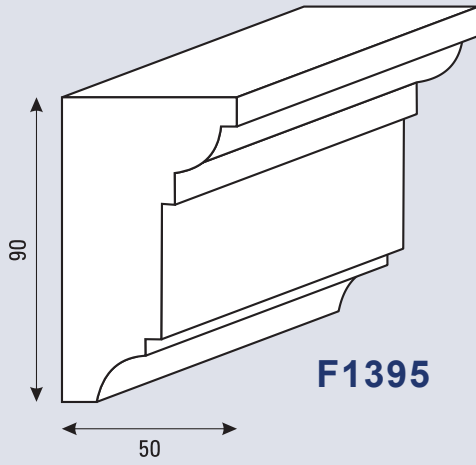
F1415



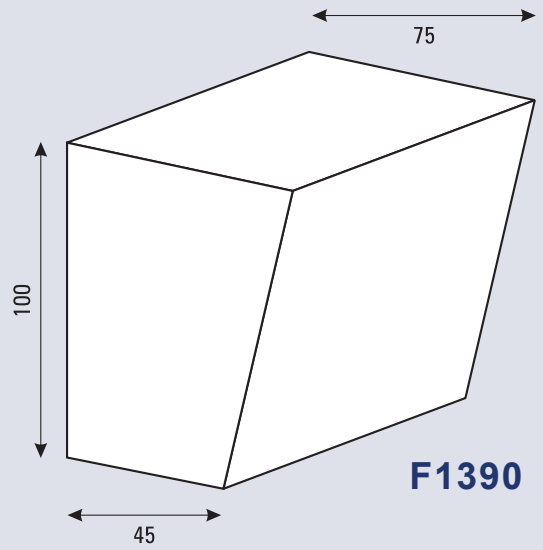
F1400



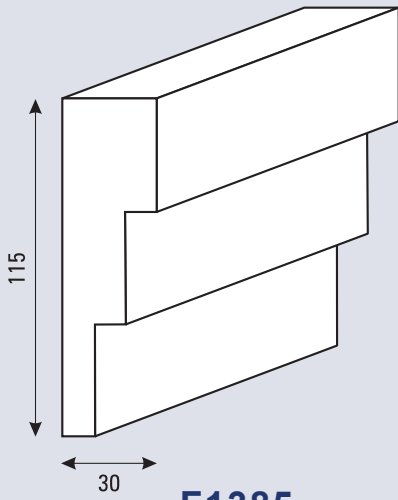
F1405



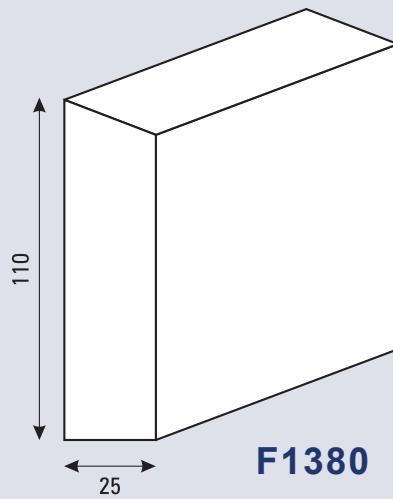
F1395



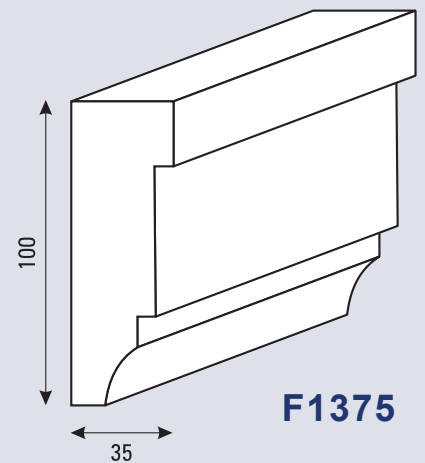
F1390



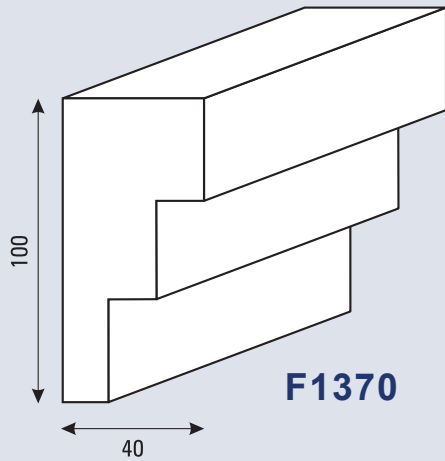
F1385



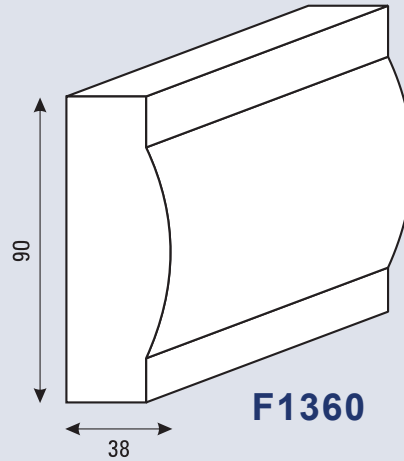
F1380



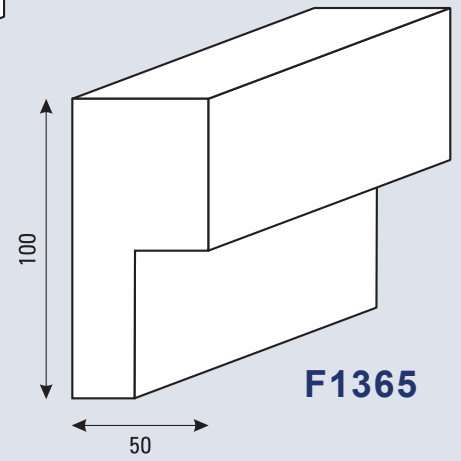
F1375



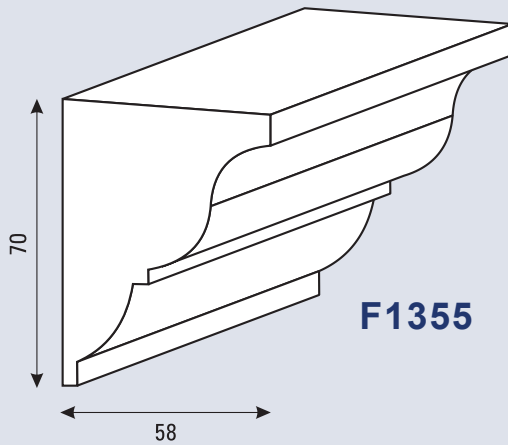
F1370



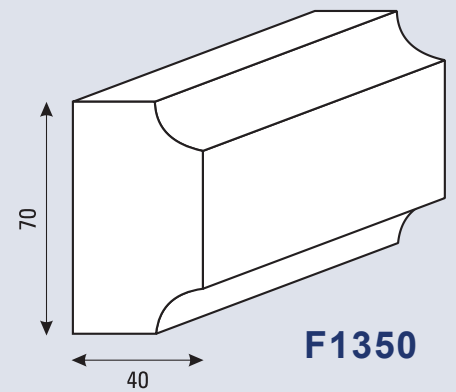
F1360



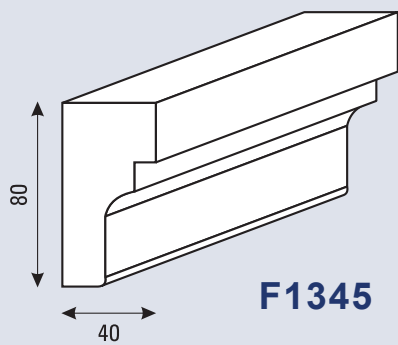
F1365



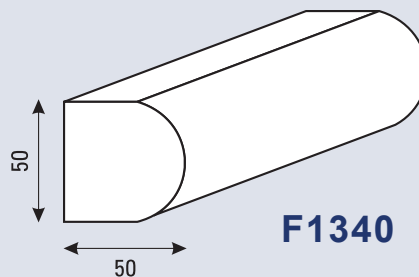
F1355



F1350



F1345



F1340

This catalogue is to show you the different shapes that can be achieved from polystyrene and Novatex Architectural Sand Finish Coating.

Give your project its own distinctive look.

All mouldings in this catalogue can be altered in size or design to suit your needs.

If you wish to create your own design, a drawing/sketch of shape and size is all that is needed and your mould can be custom made.

All moulds come in standard lengths of 2.4 metres.

All moulds are finished with a fine-sand finish, ready for painting or rendering and fixing.

This product requires a paint or sealer coat for exterior use.

- When ordering, please specify the mould number/code and size.
- Please state how many lengths are required at 2.4 metres, or how many metres.
- When curved shapes are required, a radius or diameter and the height are necessary.

Confirmation on sizes is a must before production proceeds.

A written quote is supplied. This quote must be signed for production to proceed.

A 50% deposit is required upon approval of the quote.

Recommended fixing materials can be supplied in your quote if required.

Delivery can also be arranged at an additional cost.

For information on Novatex Architectural Mouldings,
please contact your local sales representative
or call Novatex Products on:

9757 3225

info@novatexproducts.com.au
www.novatexproducts.com.au

Installation Guidelines

Storage and handling for Novatex Products Architectural Mouldings.

1. All finished packed product has been checked for quantity and quality before leaving the factory any claims against this must be made within 24 hours of acceptance of delivery.
2. Novatex take no responsibility for product with customer arranged transport.
3. All finished delivered product must be stored in a dry place.
4. Extra care must be taken when handling and storing product in the winter months as the coating can become hard and brittle, store on a flat surface and take care when installing (leave in the sun until flexibility returns)
5. All mouldings are supplied plus or minus 3mm in size

Installation Procedure for Novatex Products architectural Mouldings.

STEP 1

- Ensure the surface is dry and free of dirt, oil or paint, and any loose or unsound material removed back to a solid background. Mark the substrate wall where the mould is to be fixed using a chalk line or string line.
- ALLOW FOR AN EXPANSION JOINT EVERY SIX METRES AND EVERY THREE METRES FOR LARGER MOULDS.
- MOULDINGS FIXED ON A HORIZONTAL PLANE MUST HAVE A FALL TO ALLOW FOR WATER RUN OFF.
- Mouldings used in a parapet situation must be protected with a metal capping.
- Mouldings are prone to bird attack; please take extra precautions to protect mouldings in known bird infested areas. Novatex will not accept any reasonability for bird damage.

STEP 2

- Measure and mark the back of the moulding using a square. Cut the mould with a sharp fine tooth saw or electric drop saw. (If mitres are required, it is best to use a mitre box.)

STEP 3

- Attach mould with Tool Box or Max Seal.
- Tool Box – 20mm dabs on the back of moulding approx. 200mm centres (larger dabs will be necessary on larger moulds).
- Max Seal – spray 2 10mm beads, 1 approx. 20mm from the top of the mould and the other approx. 20mm up from the bottom of the mould.

STEP 4

- Reposition mould where marked to be fixed, press firmly. Slide mould from side to side (to ensure full contact across the back face). Pull mould away from substrate.
- Tool Box – is left off for approx. 5 minutes.
- Max Seal – is only left off for approx. 2 minutes. (Enerfoam does go off quite quickly; do not leave)
- Adhesive must be applied to all mitres and butt joints.
- Replace mould when adhesive is tacky. Press firmly on surface but avoid hitting, to ensure mould is not damaged.
- Propping can be used to ensure moulds will not slide down the substrate i.e. Small timber blocks or battens temporarily fixed with concrete nails under moulds until adhesive has had time to settle and adhere fully.
- Once propping has been removed moulds are ready for sealing.

STEP 5

- Use masking tape around perimeter edge at a minimum 5mm away from mould, to ensure a clean and neat job.
- The sealant must be smoothed over with your finger or a damp cloth quite firmly to ensure a positive bond between the wall and the moulding.
- Remove masking after applying the sealant.

STEP 6 – Raw Ends

- Smear 1 coat of Joining Mix over raw ends with a spatula trowel or hand. Softly go over with a damp sponge to obtain finish. Allow time for drying between coats. If required, you can sand down using sandpaper or mould off cut. Repeat process 3 times.
- Once 3 coats have been applied, allow for drying, if required you can then sand to smooth finish using sandpaper or mould off cut to maintain consistency.
- Another option is to melt the end and fill with a modified render this option gives the best result.

STEP 7 – Corner and Butt Joins

- Apply Joining Mix at the edge of both adjoining raw ends when fixing the next length of mould to substrate, push together and allow for Joining Mix to ooze out at.
- Clean joins with a damp sponge to maintain texture finish. DO NOT SMEAR OVER THE FACE OF THE JOINT, AS THIS CAN ACCENTUATE THE JOINT IN CERTAIN LIGHTS.

STEP 8

- Ensure all areas are painted with a good quality 100% acrylic paint.

PLEASE NOTE: Novatex Products will not accept any responsibility for incorrect onsite application. For help ph 9757 3525.



Novatex Products
also manufacture:

insulclad® and insulclad® pre-meshed
lightweight polystyrene cladding systems

ezytex® cement-based polymer modified
finishing coats and renders

DISTRIBUTOR

Novatex Products

5/26 Newton Road
P O Box 7123
Wetherill Park NSW 2164
Telephone 02 9757 3525
Facsimile 02 9757 3454
info@novatexproducts.com.au
www.novatexproducts.com.au

 **novatex**
PRODUCTS PTY LTD